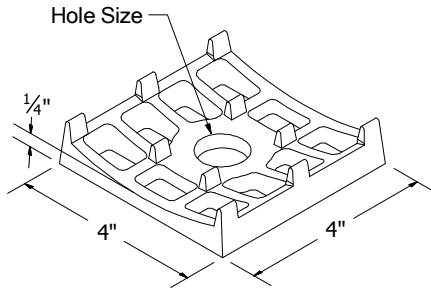


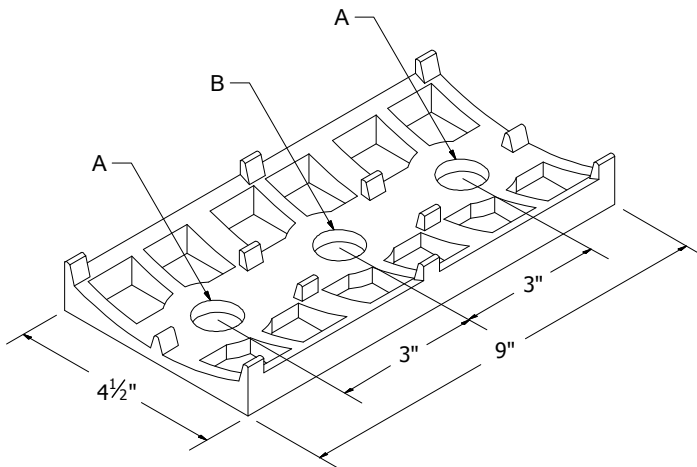
### Grid Gains

#### PX122 Series



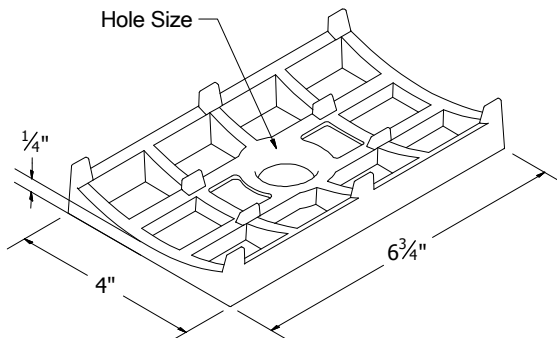
Catalog Number	Hole Size	Bonding	Approx. Wt. Lbs. Each
PX122	$\frac{15}{16}$ "	No	1.2
PX122A	$1\frac{1}{16}$ "	No	1.2
PX122B	$\frac{15}{16}$ "	Yes	1.2

#### PX260 Series



Catalog Number	A	B	Bonding	Approx. Wt. Lbs. Each
PX260	$\frac{15}{16}$ "	$\frac{15}{16}$ "	No	2.3
PX260A	$1\frac{1}{16}$ "	$1\frac{1}{16}$ "	No	2.3
PX260B	$\frac{15}{16}$ "	$\frac{15}{16}$ "	Center	2.3
PX260C	$\frac{15}{16}$ "	$1\frac{1}{16}$ "	No	2.3

#### PX261 Series



Catalog Number	Hole Size	Bonding	Approx. Wt. Lbs. Each
PX261	$\frac{15}{16}$ "	No	1.3
PX261A	$1\frac{1}{16}$ "	No	1.3
PX261B	$\frac{15}{16}$ "	Yes	1.3