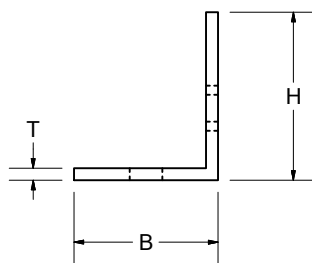
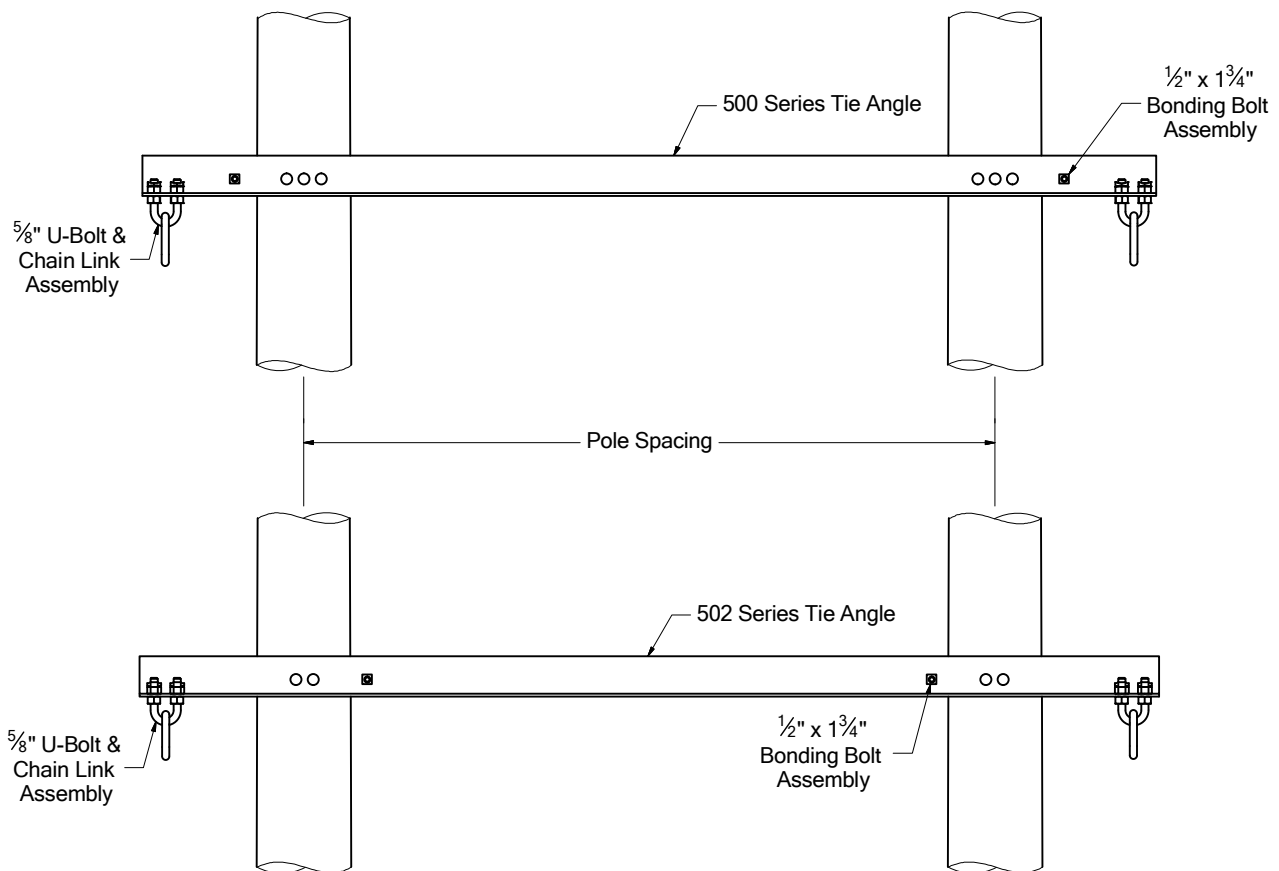


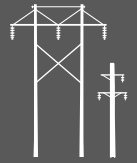
Tie Angles

BROOKS has a wide variety of tie angle assemblies to meet any H-frame structure requirements. All angles are furnished standard with U-bolts, forged chain links and bonding bolts factory assembled unless noted otherwise. Steel angle conforms to ASTM A-36 specifications and is hot dipped galvanized to ASTM A-153 standards.

The following tables will assist in ordering assemblies meeting most applications. BROOKS has a wide variety of other assemblies not illustrated and welcomes the opportunity to discuss those special applications individually. Please contact BROOKS Engineering Department.



End Detail



Tie Angle Ordering Codes

For 500 and 502 Series

Ordering Information:

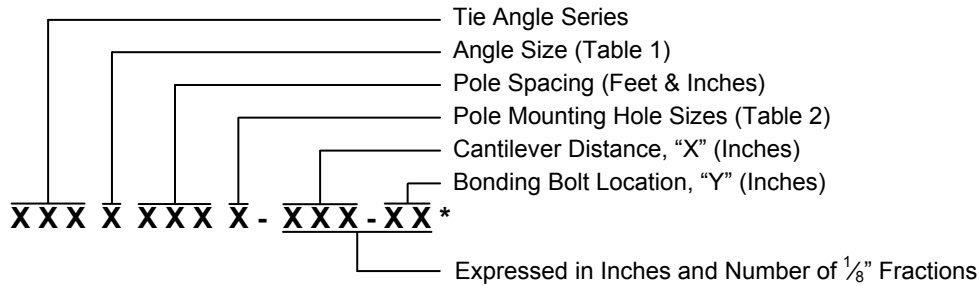


Table 1

Angle Size

Code	Width "W"	Height "H"	Thickness "T"
A	3"	3"	$\frac{1}{4}$ "
B	3"	3 $\frac{1}{2}$ "	$\frac{1}{4}$ "
C	3"	4"	$\frac{1}{4}$ "
D	3"	5"	$\frac{1}{4}$ "
E	3"	5"	$\frac{5}{16}$ "

Additional angle sizes are available

Table 2

Pole Mounting Hole Diameters

Hole Code	Size
L	$\frac{13}{16}$ "
M	$\frac{15}{16}$ "

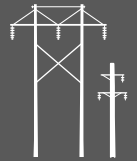
Ordering Example: 500D156M-174-46 = Tie Angle Assembly, 3" x 5" x $\frac{1}{4}$ ", for 15'-6" C/C pole spacing, $\frac{15}{16}$ " mounting holes. U-Bolts assembled 17 $\frac{1}{2}$ " and bonding bolt assembled 4 $\frac{3}{4}$ " from pole centerline mounting position.

Ordering Example: 500C120L-130-60 = Tie Angle Assembly, 3" x 4" x $\frac{1}{4}$ ", for 12'-0" C/C pole spacing, $\frac{13}{16}$ " mounting holes. U-bolts assembled 13" and bonding bolt assembled 6" from pole centerline mounting position.

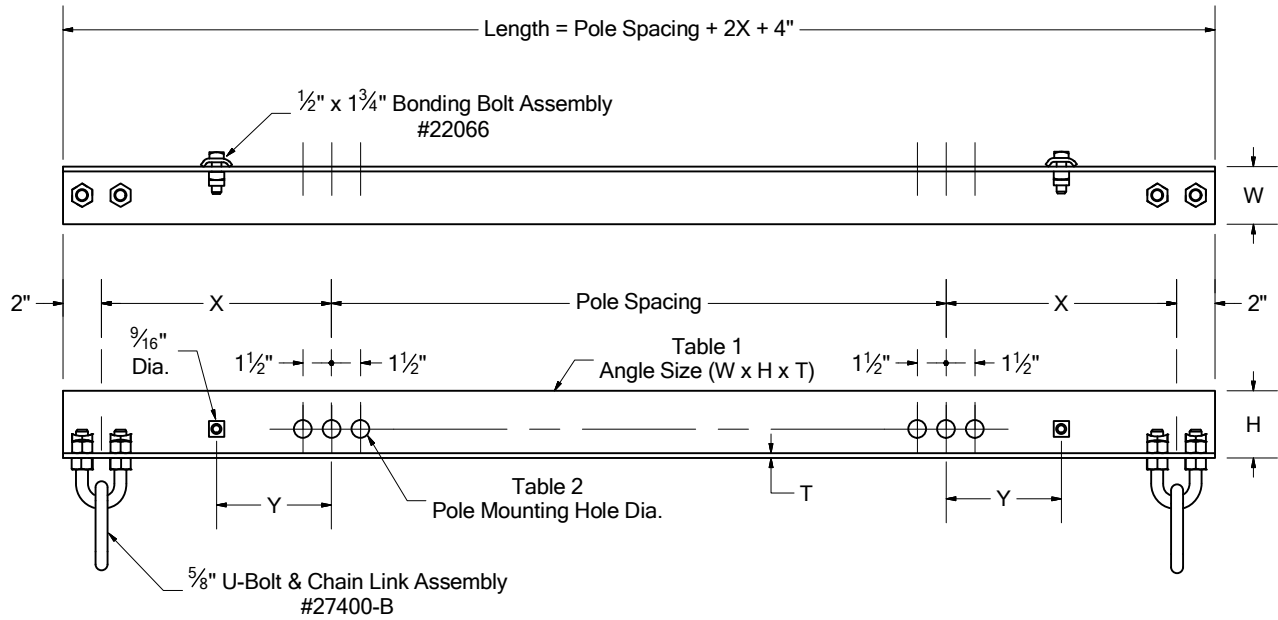
* To order the tie angle only, without the assembled hardware, add the suffix "A" to the corresponding assembly number.

Ordering Example: 502B156M-126-56A = Tie Angle, 3" x 3 $\frac{1}{2}$ " x $\frac{1}{4}$ ", for 12'-6" C/C pole spacing, $\frac{15}{16}$ " mounting holes. U-bolt assembly holes 12 $\frac{3}{4}$ " from edge and bonding bolt assembly hole 5 $\frac{3}{4}$ " from pole centerline mounting position. Angle only, U-bolts and bonding bolts not assembled

Pole mounting hardware is not furnished standard as part of the assembly and should be ordered separately.



500 Series Tie Angles



502 Series Tie Angles

