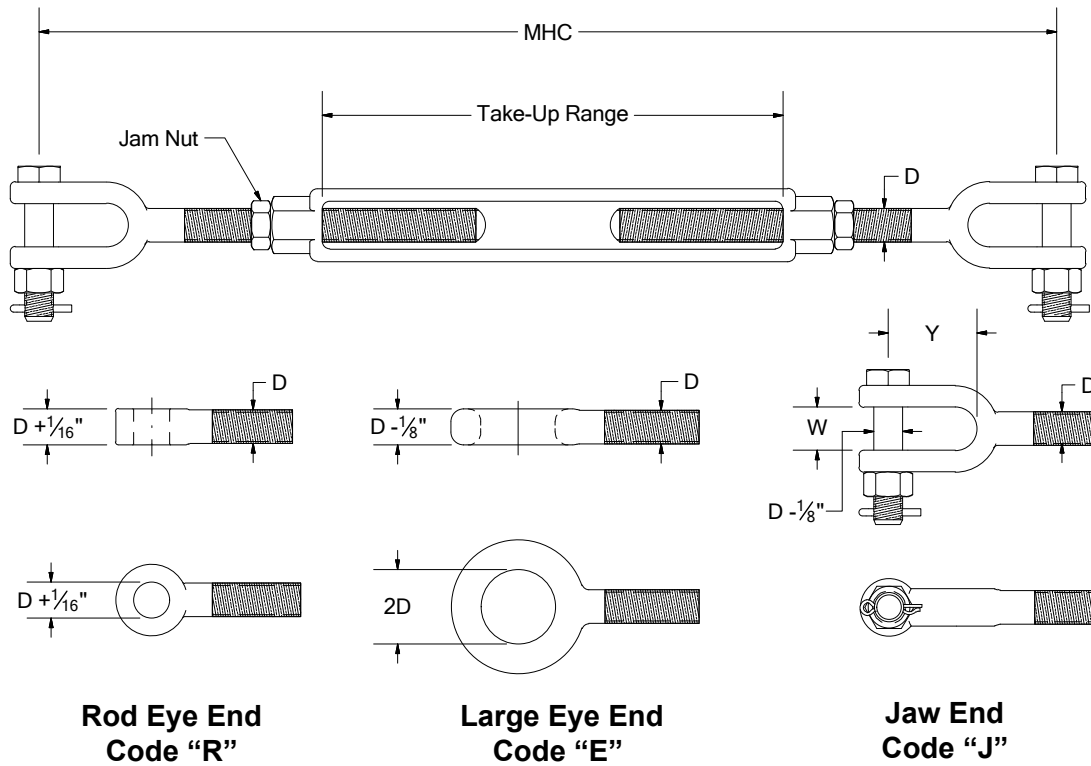


Turnbuckle Assemblies

BROOKS Turnbuckle Assemblies are available in a variety of diameters, ends and take-up ranges to satisfy a host of applications. Turnbuckles are often used in combination with tension braces on H-frame construction when MHC distances are critical. The assemblies, manufactured from forged carbon steel, are shipped factory assembled complete with jam nuts. Jaw bolts are furnished complete with the pin bolt, nut and stainless steel cotter pin.



End Code Designation

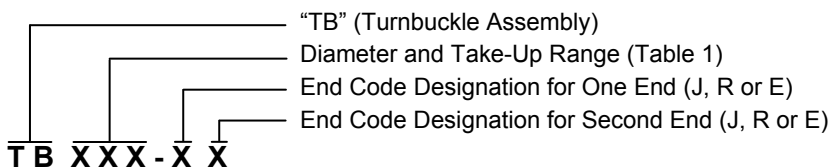
| "D" | "W" | "Y" |
|------|---------|----------|
| 5/8" | 7/8" | 1 5/8" |
| 3/4" | 15/16" | 1 13/16" |
| 7/8" | 1 1/8" | 2 1/4" |
| 1" | 1 3/16" | 2 3/8" |

Table 1

Diameter and Take-Up Range

| Code Number | Diameter | Take-Up | Ultimate Strength Lbs. | Approx. Wt. Lbs. Each |
|-------------|----------|---------|------------------------|-----------------------|
| 509 | 5/8" | 9" | 16,000 | 3.5 |
| 512 | 5/8" | 12" | 16,000 | 4.0 |
| 609 | 3/4" | 9" | 25,000 | 5.2 |
| 612 | 3/4" | 12" | 25,000 | 6.3 |
| 712 | 7/8" | 12" | 35,000 | 8.6 |
| 812 | 1" | 12" | 45,000 | 12.7 |

Turnbuckle Ordering Codes



Example: TB609-JE = Turnbuckle Assembly, 3/4" x 9" with one jaw eye and one large eye end.